

# EQUALIZING VALVE, OVAL FLANGE

DATA SHEET

FFN, FFP

## EQUALIZING VALVE

This equalizing valve is designed for use with differential-pressure transmitters or flow rate transmitters. It is composed of two stop valves for blocking high and low pressures and one equalizing valve.

## SPECIFICATIONS

### Pressure rating:

16MPa, 41.3MPa

### Material:

Main unit; SUS F 316 (FFN3G)  
 ASTM A479 316 (FFN□J)  
 Mounting bolt; SUS304  
 Gasket; Teflon (PTFE)  
 Conversion adapter; SUS316 (FFN□J only)

### Fluid temperature:

-40°C to 120°C (Under non-freezing condition)

### Ambient temperature:

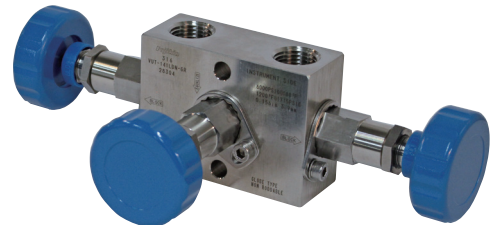
-40°C to 120°C

### Process connection:

<FFN3G>; Rc1/2, Rc1/4, 1/2-14NPT, 1/4-18NPT  
 (Provided by Oval flange)  
 <FFN□J>; Rc1/2 (standard)  
 Rc1/4, 1/2-14NPT, 1/4-18NPT  
 (Provided by Conversion adapter)



FFN3G



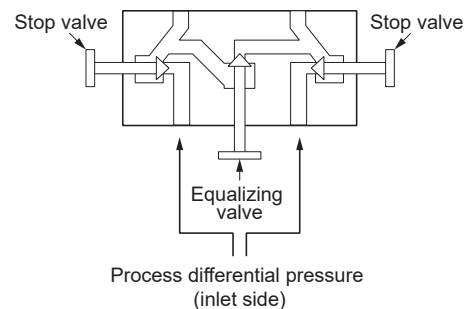
FFN3J/4J

## CODE SYMBOLS

1	2	3	4	5	6	7	8	9	10	14	Description
F	F	N					0	4			16MPa with oval flange
											16MPa with pressure piping
											41.3MPa with pressure piping
											Material
											Main unit
											SUS316
											Mounting bolt
											SUS316L
											(FFN3G only)
											Oxygen no-oil treatment
											With (standard)
											Process connection (*Note)
											Rc1/2
											Rc1/4
											1/2-14NPT
											1/4-18NPT
											Special specifications
											(Blank if not required)
											High-pressure gas product
											(Only available for FFN3G)

\*Note: FFN3G depends on the oval flange screw.  
 For FFN□J, "1" is standard. "2," "3," and "4" depend on the Conversion adapter mounted to "1."

## STRUCTURAL PRINCIPLE



## SCOPE OF DELIVERY

### FFN3F:

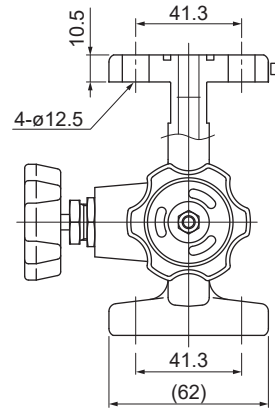
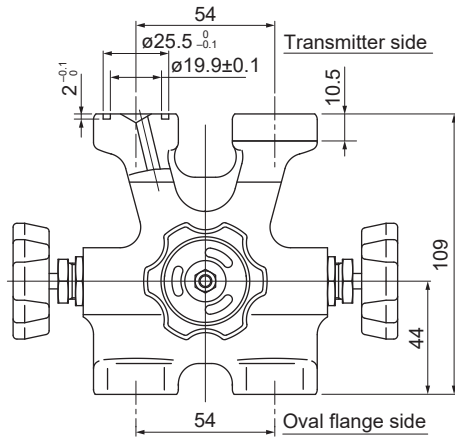
- Equalizing valve main unit
- Transmitter mounting bolt (4)
- Gasket (4)
- Oval flange (Type: FFP5) (2)
- Oval flange mounting bolt (4)

### FFN3J, FFN4J:

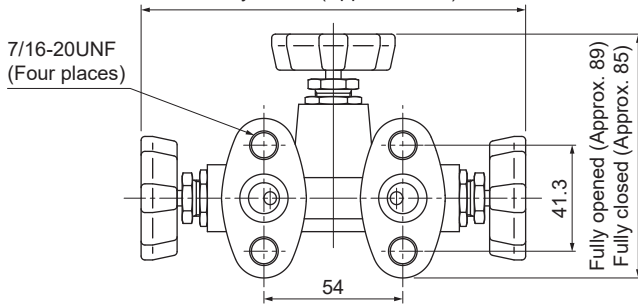
- Equalizing valve main unit
- Conversion adapter (10th digit: 2, 3, or 4) (2 pieces)
- Mounting bracket

OUTLINE DIAGRAM (Unit: mm)

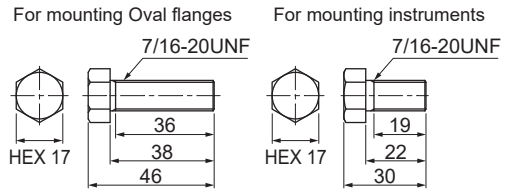
Direct coupling type equalizing valve FFN3G



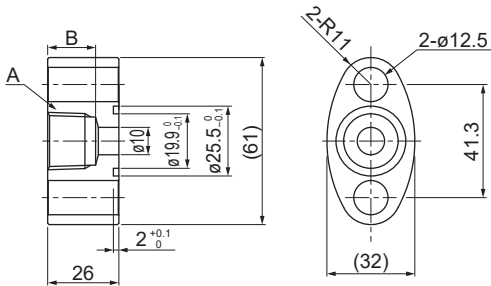
Fully opened (Approx. 157.5)  
 Fully closed (Approx. 153.5)



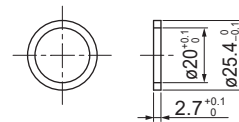
Mounting Bolt (Supplied)



Oval flange (Supplied)

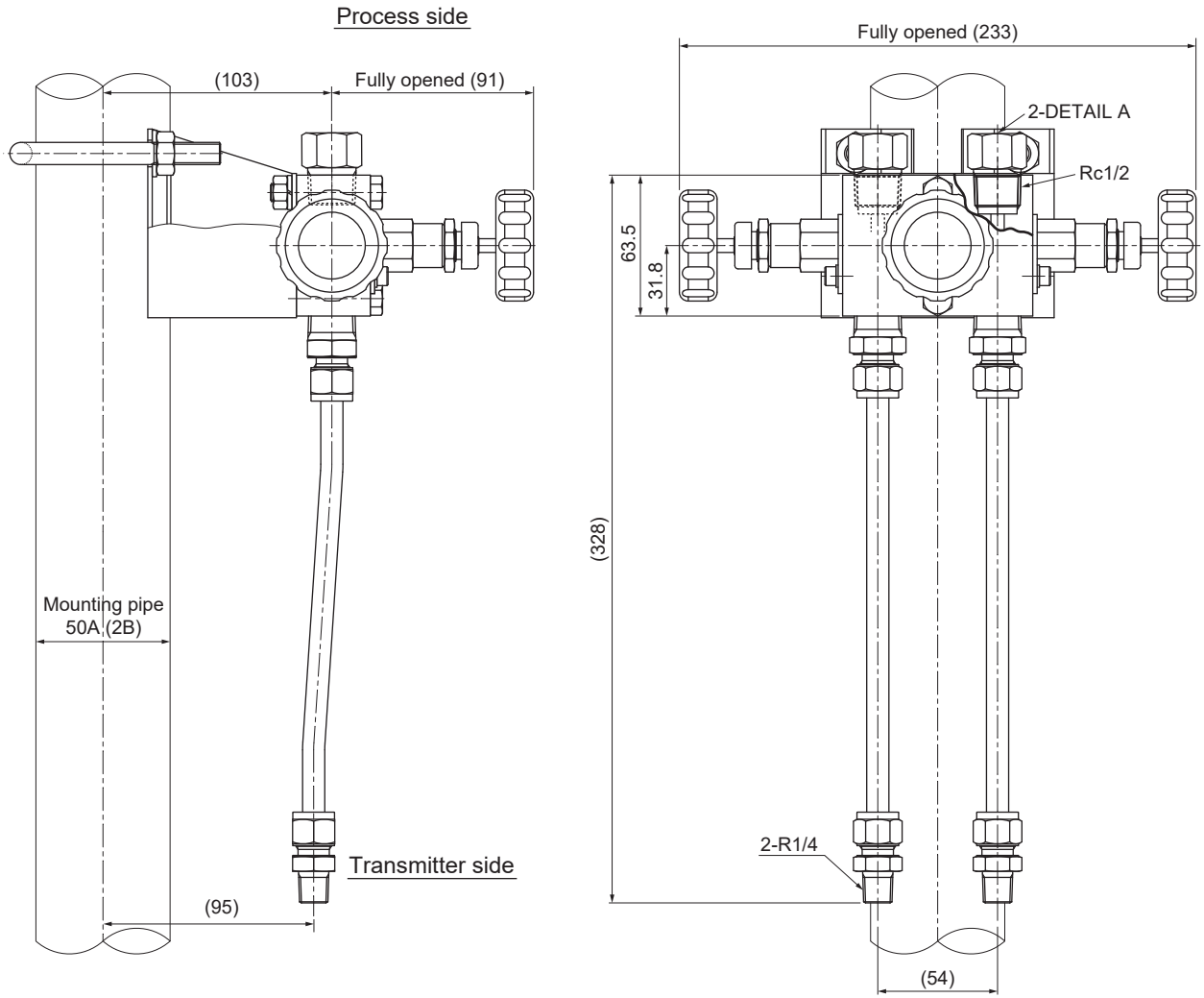


Gasket (Supplied)

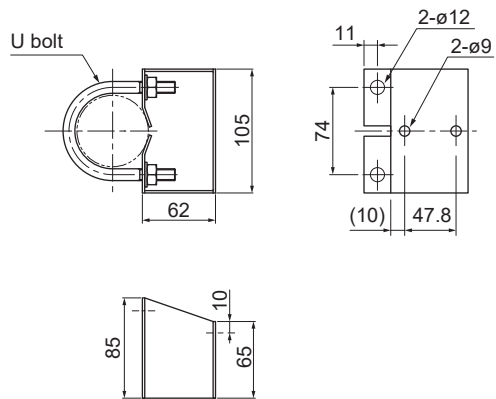


10th digit of CODE SYMBOLS	A	B
1	Rc1/2	15
2	Rc1/4	10
3	1/2-14NPT	15
4	1/4-18NPT	10

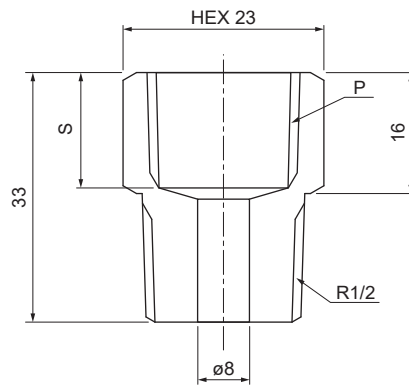
# Equalizing valve with pressure piping FFN3J/FFN4J



DETAIL mounting bracket



DETAIL A (Conversion adapter)



10th digit of CODE SYMBOLS	P	S
2	Rc1/4	10
3	1/2-14NPT	15
4	1/4-18NPT	10

## OVAL FLANGE

This oval flange is used to connect differential pressure, flow rate, or pressure transmitter or equalizing valve with a process pressure piping.

## SPECIFICATIONS

### Pressure rating:

16MPa, 41.3MPa

### Material:

Oval flange; SUS316

Mounting bolt; SUS304

(4th digit of CODE SYMBOLS: "5")

SNB7 (4th digit of CODE SYMBOLS: "6")

Gasket; Teflon (PTFE)

### Fluid temperature:

-40°C to 120°C (Under non-freezing condition)

### Ambient temperature:

-40°C to 120°C

### Process connection:

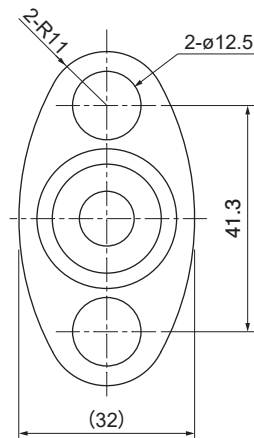
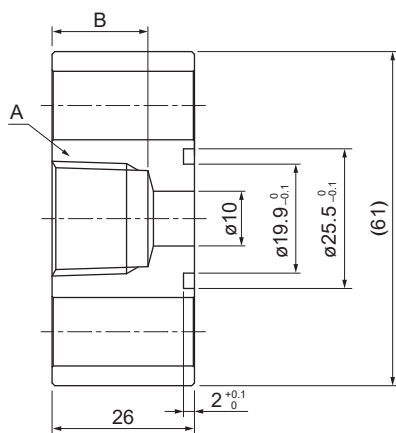
Rc1/2, Rc1/4, 1/2-14NPT, 1/4-18NPT

## ORDERING INFORMATION

1. Product name
2. Type

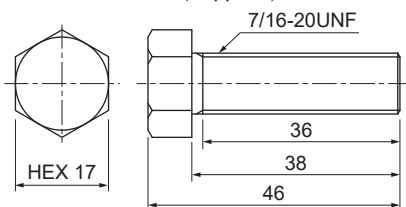
## OUTLINE DIAGRAM (Unit: mm)

Oval flange FFP 5  
6

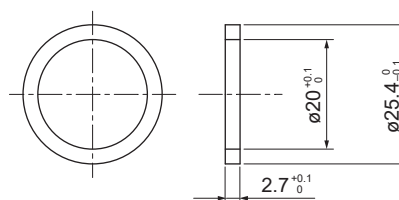


5th digit of CODE SYMBOLS	A	B
A	Rc1/2	15
B	Rc1/4	10
C	1/2-14NPT	15
D	1/4-18NPT	10

Bolt (Supplied)



Gasket (Supplied)



## CODE SYMBOLS

1	2	3	4	5	6	7	8	9	Description	
F	F	P					0	4		Pressure rating 16MPa Available for FFN3G 41.3MPa
				5						
									A	Process connection Rc1/2 Rc1/4 1/2-14NPT 1/4-18NPT
									B	
									C	
									D	
									V	Material Main unit      Mounting bolt SUS316        SUS304 (4th digit: "5") SNB7 (4th digit: "6")
									A	Treatment No-oil treatment

## SCOPE OF DELIVERY

### FFP5:

- Oval flange
- Mounting bolt (2)
- Gasket (1)

Note: To use for a differential pressure transmitter, order two sets.

Information in this catalog is subject to change without notice.  
Read the instruction manuals thoroughly before using the products.

**F** Fuji Electric Co., Ltd.

Gate City Ohsaki, East Tower, 11-2, Osaki 1-chome, Shinagawa-ku, Tokyo 141-0032, Japan  
Phone: +81-3-5435-7111  
www.fujielectric.com  
www.fujielectric.com/products/instruments/